

## *Perpetuum Mobile of Forth Kind*

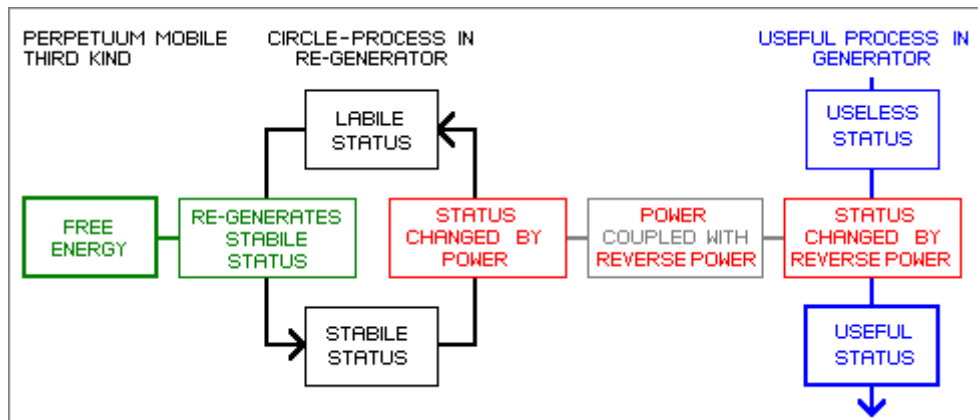
### PM 3. Kind

Based on considerations to rotor systems, I formulated a general principle 'Perpetuum Mobile of Third Kind', which in most abstract style describes the usage of Free Energy in various sections of physics.

Starting basis is the endeavour of nature to create or recreate stabile status (like steadiness of inertia, equal spreading of pressure within fluid or electric charges within a medium or heat within gases, steadiness of magnetic flux of permanent magnets, and other subjects). If this status is disturbed, a labile status results. If the disturbance ends, the 'nature' automatically re-establishes the original stabile status. This act of regeneration is really Free Energy.

As nature resists versus changes or disturbance of stabile status, the act of disturbance demands power. Instead of input of demanded power into the re-generating part of a system, one can take off the resistance at a second part of the system, by counter-pressure. At this second generator-part of the system thus can be achieved an usable effect. The energy balance is balanced, power and counter-power is only dislocated into two parts of a system. Above this, the difference to the stabile status is only give short time resp. phasewise, in sense of a permanent cycle.

That's the message of PM Third Kind. Applications of this principle are all systems, where energy is 'braked-out' of a system, e.g. many rotor systems presented here. An other application e.g. are heat pumps. If other theoreticians by definition of PM (first or second kind) are searching for other aims than continuous movement resp. achieving usable energy, it's quite an other problem (see below).



However, I had problems to explain my classic example of energy-surplus, the effect of lift by suction, by this principle. The effect by itself is clear, as I often described (e.g. by chapters 'Effect of Suction' or 'Why Sail doesn't pull' (sorry, both articles are available only in German) and also in diverse workouts to my Fluid Technology, lastly here e.g. by 'Tide-Energy-Station'. For embedding this occurrences (suction / lift) into a generally valid statement however, I had to make up the principle of 'Perpetuum Mobile of Fourth Kind'.

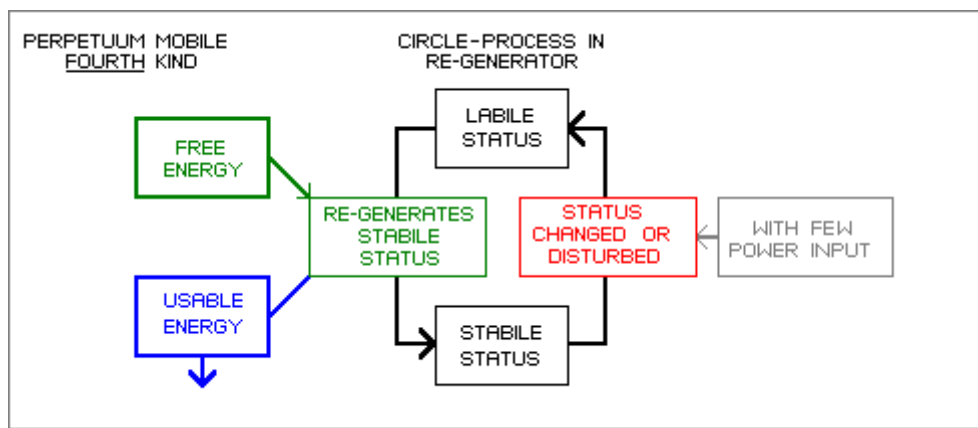
### PM 4. Kind

There are lots of processes, where the disturbance of a stabile status demands only few power or even no power-input. So there is no strong resistance and thus no strong power will result from the brake-out of the disturbing act. At some cases, the disturbance even presents some power directly.

For example, this happens at suction areas, e.g. at sails or wings or any bended surface. For example, one only has to hold a sail some tied versus the originally given wind (and already will get some thrust), in order to build up a suction area. Only by this pure passive measurement, the equal spreading of the general air pressure is disturbed, resulting strong flux for balancing the pressures and achieving a multiple stronger lift (than originally given wind-power) - without hindering the act of regeneration of equalized pressures.

So by this principle, disturbing a stabile status nearby needs no power, i.e. the labile status is to achieve easy. Free Energy of nature automatically regenerates a labile status into a stabile status. This process of regeneration, all times is identical to any kind of movements. That movement by itself represents or is to transform into useful power.

This indirect or even direct usage of any movement within the regeneration-phase of a cycle-processes, that's the message of the principle of 'Perpetuum Mobile Fourth Kind'.



Applications of PM 4. Kind are all systems with phasewise redirection resp. disturbance of flux, within fluids or of flux within electric or magnetic systems. At mechanics, these are systems with phasewise redirection of masses into circled tracks (like many designs are presented here). But also e.g. static charges are easy to accumulate within electric elements, i.e. equal spreading is easy to disturb. Just electronic processes with semiconductors offer a huge range of possibilities for practicable application of this principle.

### Investigation

So it would make sense, every expert to investigate his subject for stabile status, how that status phasewise could be transferred into a labile status. Might be, the act of disturbance already results usable energy (PM 3. Kind). Otherwise the automatically given movement of the regeneration-act represents energy usable for free (PM 4. Kind). Then, it's only a question of organizing the processes to use the free available nature-power at its best.

This will be possible in all sections of physics, e.g. at mechanics (especially free of negative 'side-effects') and also by electrics and electronics (however inclusive side-effects as long one doesn't understand real backgrounds).

Already these days, at these fields are well known many 'phenomena' and there are some systems with special generators producing more electric flux than consuming corresponding mechanical power. Most of these inventions were found occasionally. By the new Aether-Physics, I will describe in details the real essence of electromagnetism as a very special shape of movement of aether with its extremely special characteristics. Electromagnetic machines then are to design more effective and with less negative side-effects.

### Transformer or Generator

All machines producing electric flux, actually are only transformers: a given power (e.g.

water- or wind-power) is transferred into electric power at its best. The original power (e.g. steam pressure) by itself is made available also by transformation (e.g. within a coal-power-stations or nuclear-power-plants). Already by steam-engines was recognized, 'losses' in shape of heat are unavoidable (and this 'discovery' was fixed by general valid laws).

Thus every development did aim only at best-possible power-transformation. The original power, natural or produced, must be consumed and transferred at its best into the wanted new shape of energy. Indeed, these transformers of all kind achieved an efficiency less than 100 percent – like the 'law' demands.

So one neglected to aim an other optimum: by minimum input of power to achieve best possible energetic usage of higher value. Opposite to previous 'transformers', the original power not at all may be consumed totally. Opposite, one has to guarantee, this power within its cycle must remain constant. The usable effect may only result from a controlling act, that phasewise disturbance, and the energy may only be harvested by the automatic running regeneration act.

These systems by principle are 'open' systems, within which a free available component of natural forces automatically effect the regeneration as an essential contribution to a cycle processes. That's the way to generate a real additional benefit - instead of only transforming one shape of energy into next with its inevitable losses.

Evert / 2002-11-02

PS:

In 2014/15 a new type of buoyancy power stations came up with energy surplus. Hard discussions came up about the source of the additional energy. I did show clearly, these machines are a perfect realization of 'Perpetuum Mobile of Forth Kind'.

Source: [www.evert.de](http://www.evert.de)

File : [www.evert.de/ef764e.pdf](http://www.evert.de/ef764e.pdf)